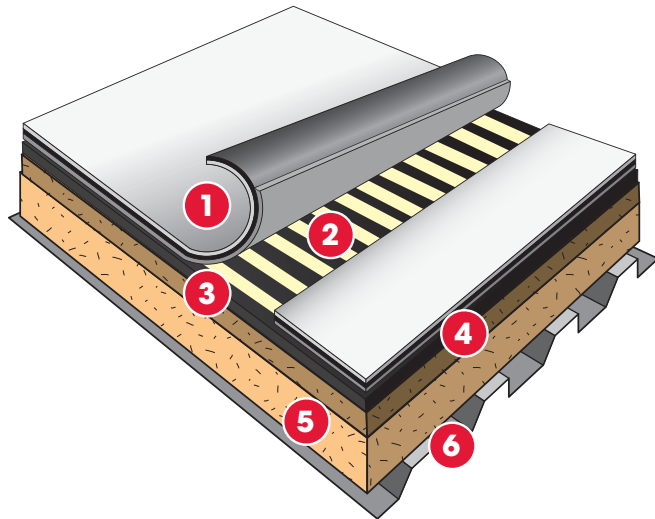




# VERSIFLEECE



**VersiFleece® TPO Membrane for Modified Bitumen Roofing Systems is available in the following:**

Colors: White, Gray and Tan

Thicknesses (mils): 100, 115 and 135

Standard Widths: Up to 12'

Standard Lengths: Up to 100'

## SYSTEM CODES

- UL Class A and B ratings are available over various deck types
- FM codes are available over various deck types
- For code specifics, refer to Versico's Code Approval Guide

## TYPICAL APPLICATION

- 1 VersiFleece TPO Membrane
- 2 DASH™ Adhesive
- 3 Aged Modified Bitumen
- 4 Existing Cover Board
- 5 Existing Insulation
- 6 Existing Roof Deck

## SYSTEM FEATURES AND BENEFITS:

- ENERGY STAR® qualification and CRRC rating
- Existing UL ratings are retained up to 1" slope
- Excellent hail resistance passing NBS-23 for 3" hail at 32°F
- Minimal fastener requirements
- DASH Adhesive adds an R-value of 0.20 to 0.5 per layer, enhancing thermal efficiency
- Minimized disruption from noise and odors
- Up to 20-year warranties available (depending on conditions)
- Minimized landfill and disposal costs
- Industry-leading OctaGuard XT™ weathering package provides improved weatherability, durability and long-term performance
- Sustains the life of the existing insulation
- Excellent option for re-roofing existing weathered, granulated or smooth mod bit systems
- VersiFleece membrane adds 30–40% greater puncture resistance



**VERSICO**

A SINGLE SOURCE FOR SINGLE-PLY ROOFING

**Versico** PO Box 1289, Carlisle, PA 17013  
Tel: **800.992.7663** Fax: 717.960.4036 Web: **www.versico.com**



## PRODUCT DELIVERY, STORAGE AND HANDLING

Deliver materials to the jobsite in the original, unopened containers labeled with the manufacturer's name, brand name and installation instructions.

Jobsite storage temperatures in excess of 90°F (32°C) may affect shelf life of curable materials (i.e., DASH Adhesive - Parts A & B, splicing cement, sealants, cleaners, primers, QA Seam Tape, Pourable Sealer, Quick-Applied flashing and uncured flashing).

When liquid adhesives and sealants are exposed to lower temperatures, restore to a minimum of 60°F (16°C) before use. Do not store containers with opened lids due to loss of solvent that will occur from flash off.

VersiFleece TPO membrane should be stored in its original plastic wrap and be covered to protect from moisture. Any moisture absorbed by the fleece backing must be removed by using a wet-vac system, prior to membrane adhesion.

Insulation and underlayment must be stored so they are kept dry and protected from the elements. Store insulation on a skid and completely cover with a breathable material such as a tarp or canvas. If the insulation is lightweight, it should be weighted to prevent possible wind damage.

## JOB CONDITIONS

On retrofit-recover projects, existing roofing material must be investigated and wet material must be removed. The existing roof must be properly secured at walls, curbs, skylights, etc. prior to installing the new VersiFleece TPO System.

Existing adhered mod-bit roofing systems must be investigated and any loose or delaminated materials must be re-secured or removed and replaced with acceptable materials.

Coordination between various trades is essential to avoid unnecessary rooftop traffic over sections of the roof and to prevent damage to the membrane.

## ROOF DECK/SUBSTRATE CRITERIA

A proper substrate shall be provided by the building owner. The structure shall be sufficient to withstand normal construction loads and live loads.

Defects in the roof deck must be reported and documented to the specifier, general contractor and building owner for assessment. The Versico Authorized Roofing Contractor shall not proceed unless the defects are corrected.

When fasteners are to be used for insulation attachment, refer to Part I "Design Criteria" of the VersiFleece TPO specification for acceptable fasteners and minimum fastener pullout requirements.

Prior to direct application over the existing mod-bit materials, the existing membrane must be power-washed and allowed to dry. Loose granules need to be removed by sweeping, blowing or power-brooming. If excessive dust or dirt is present, a primer may be required prior to application of the adhesive. Contact Versico for specific primer requirements.

## QUALITY ASSURANCE

Versico Authorized Contractors have received training to install Versico's Roofing Systems.

## INSPECTION

Upon installation completion, and prior to the issuance of a system warranty, an inspection will be conducted by a Versico Field Service Representative.

## WARRANTY

Consult your Authorized Contractor or a Versico Independent Sales Representative for associated warranty charges.

This system, properly installed and inspected on a commercial project may receive:

### Total System Warranty Options

	VersiFleece Fully Adhered Aged Modified Bitumen					
	5-Year	10-Year	15-Year	20-Year	25-Year	30-Year
100-Mil	X	X	X	X		
115-Mil	X	X	X	X		
135-Mil	X	X	X	X	X	X

55 mph maximum peak gust wind speed coverage is standard. Additional coverage up to 120 mph is available.

Hail resistance warranty may be included for up to 1" hail for 100-mil VersiFleece, up to 2" hail for 115-mil VersiFleece, and up to 3" hail for 135-mil VersiFleece.

For more specifics on warranty programs, contact Versico.

