

SunWeld Order Checklist - Curb Mount (Skylight only)

SPECIFICATIONS

1: GLAZING MATERIAL

	INNER	OUTER
ACRYLIC DOME	<input type="checkbox"/>	<input type="checkbox"/>
POLYCARBONATE DOME	<input type="checkbox"/>	<input type="checkbox"/>

2: GLAZING COLOR

CLEAR	<input type="checkbox"/>	<input type="checkbox"/>
BRONZE	<input type="checkbox"/>	<input type="checkbox"/>
WHITE	<input type="checkbox"/>	<input type="checkbox"/>
OTHER _____	<input type="checkbox"/>	<input type="checkbox"/>

3: FRAME FINISH

MILL	<input type="checkbox"/>
BRONZE PAINT	<input type="checkbox"/>
CLEAR ANODIZED	<input type="checkbox"/>
CUSTOM COLOR _____	<input type="checkbox"/>

4: PYRAMID PITCH (OPTIONAL)

STANDARD 26 DEGREE (6/12)	<input type="checkbox"/>
CUSTOM _____ DEGREE ()	<input type="checkbox"/>

5: OTHER OPTIONS

THERMALLY BROKEN SASH (TB)

FOR CURB MOUNT SKYLIGHTS PROVIDE
OUTSIDE DIMENSION OF FINISH CURB

QTY: ___ O.D. CURB=_____ X _____

QTY: ___ O.D. CURB=_____ X _____

QTY: ___ O.D. CURB=_____ X _____

QTY: ___ O.D. CURB=_____ X _____

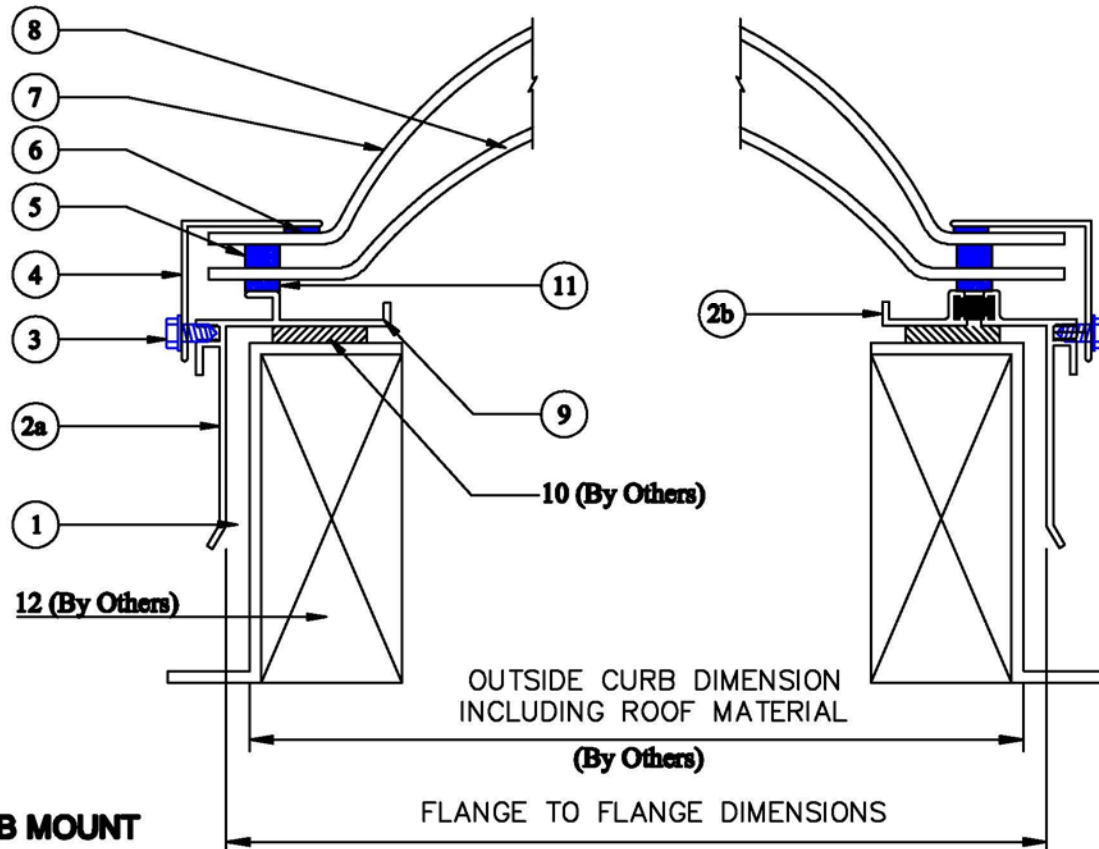
DATE: _____ ORDER #: _____

PROJECT: _____ LOCATION: _____

CUSTOMER: _____ APPROVED: _____



- | | |
|--|--------------------------------------|
| ① Flashing Clearance is = 1/4" | ⑥ Sealant tape |
| ②a Alum. Extruded Sash Non TB w/weep holes | ⑦ Outer Dome |
| ②b Alum. Extruded Sash TB w/o weep holes | ⑧ Inner Dome |
| ③ S.S. Fastener | ⑨ Condensation Gutter |
| ④ Alum. Extruded Retaining angle | ⑩ Weather strip tape (By others) |
| ⑤ Glazing tape spacer | ⑪ Glazing Tape (Typ.) |
| | ⑫ Curb and Roof Material (By Others) |



CURB MOUNT